

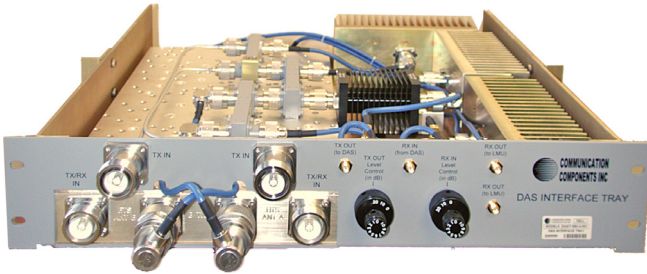
DAS Interface Tray

Tel: 201-342-3338

Fax: 201-342-3339

www.cciproducts.com

General Information



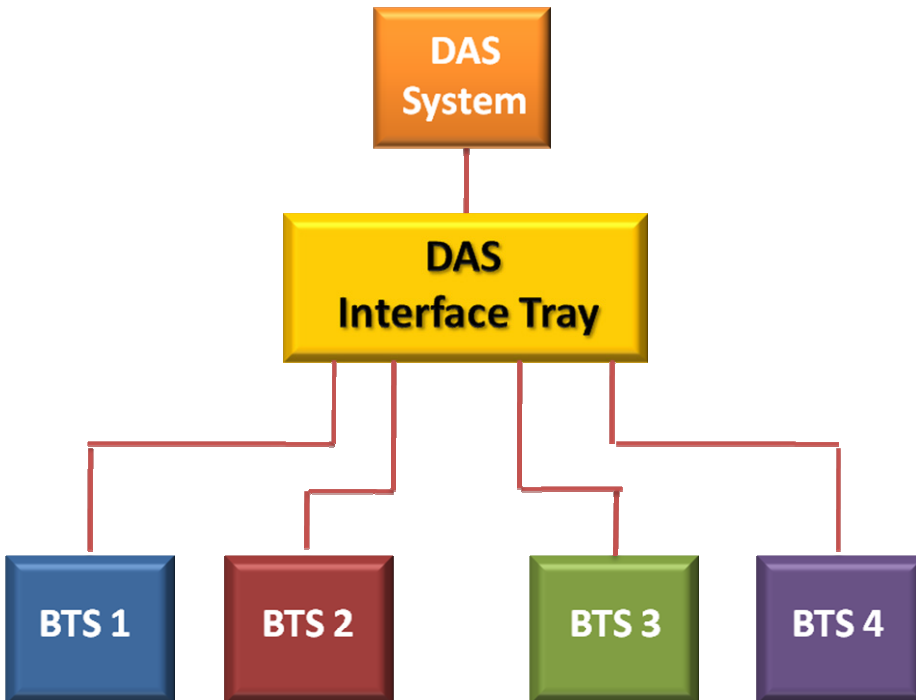
CCI's DAS Interface Tray Provides an integrated, convenient, and single connection point when using multiple basestations with one DAS system. Up to four

- ▶ Model DAST-850
- ▶ Model DAST-1900

Contents

General Information	1
Connection Diagram	1
Electrical Specifications	2

BTS units can be connected simultaneously, and integrated leveling controls provide the proper link balance to the DAS system for each Basestation. Basestations are connected directly to the DAS Interface Tray, without the need to attenuate power as the DAS tray has separate internal high power attenuators for each channel. Also provided are LMU connections for systems requiring E911 location information. A passive assembly with no power required.

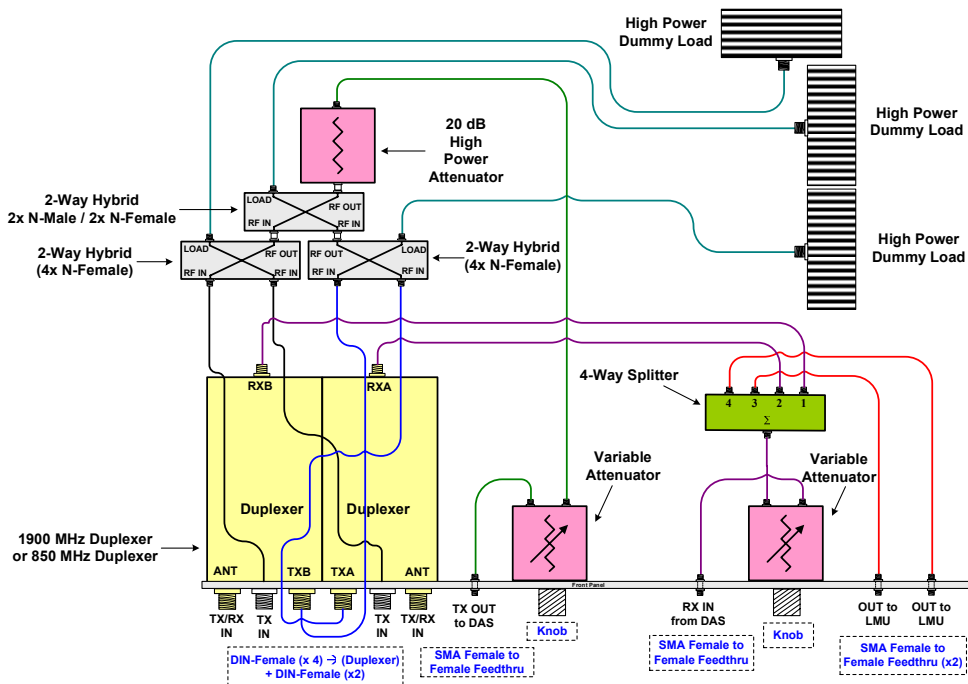


Key Features:

- ◆ A common connection point for Multiple Basestations to a single DAS system
- ◆ Combines Multiple BTS Types onto a single DAS System
- ◆ Levels and equalizes performance for all basestations

DAS Interface Tray

Description	Typical Specifications
RF Electrical	
Operating Frequency Range	Full Cellular Band (DAST-850)
	Full PCS Band (DAST-1900)
Number of BTS Inputs	4
Power Handling	100 Watts per port
Tx Level Control	Adjustable from 0 to 30 dB
Rx Level Control	Adjustable from 0 to 30 dB
Mechanical	
Number of DAS Connections	2: TX output (SMA-F), RX Input (SMA-F)
Number of LMU Connections	2: RX Output (SMA-F)
Dimensions	2U High 19" Rack Mount Tray
Weight	30 Pounds
Environmental	
Operating Temperature Range	-25° C to +65° C
Operating Relative Humidity	0% to 99%
Operating Altitude	Up to 13,000 FT



4 BTS Inputs
Single DAS Connection
Front Panel Gain Adjust
LMU Outputs
Passive System

www.ccipproducts.com

Communication Components Inc.

Tel: 201-342-3338

Fax: 201-342-3339