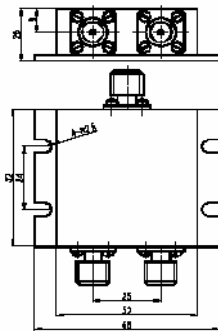


Micro Band Splitter (800~2500MHz):

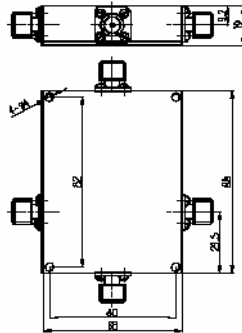
No.	Description	Typ	Insert Loss (dB)	VSWR	Balance Range (dB)	Isolation (dB)	Connector Manner	Figure
1	2 ways Splitter	RMSC-2HP	0.5	1.25	0.3	22	N-K	RMSC-2HP
2	3 ways Splitter	RMSC-3HP	0.7	1.25	0.5	20	N-K	RMSC-3HP
3	4 ways Splitter	RMSC-4HP	0.9	1.30	0.8	20	N-K	RMSC-4HP

- Note: 1) Maximal Input Power : 50 W
 2) Impedance: 50 Ω
 3) Intermodulation: ≤ -140dBc
 4) Connector Manner can be customized.

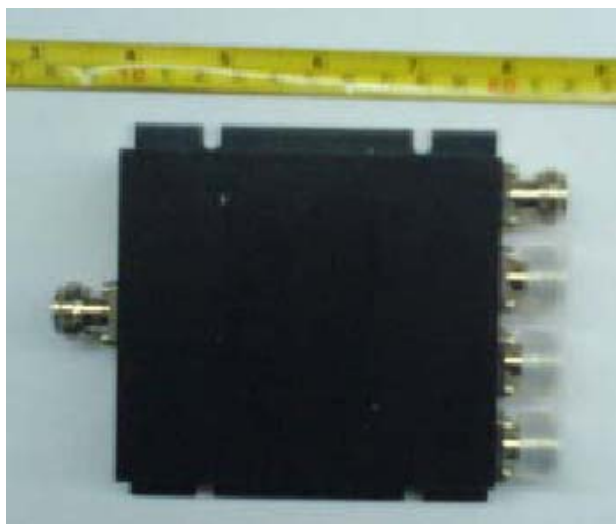
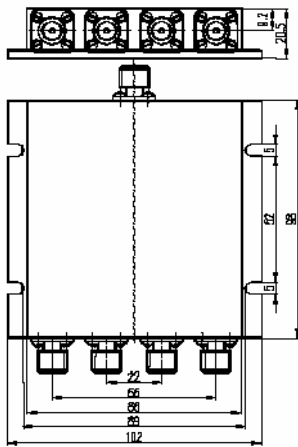
RMSC-2HP



RMSC-3HP



RMSC-4HP

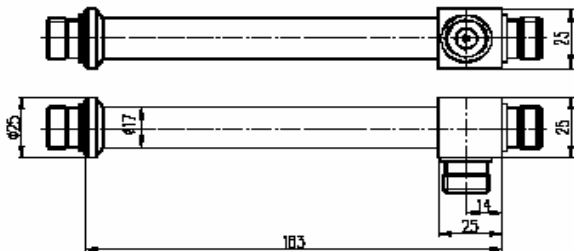


Cavity Splitter (800~2500MHz):

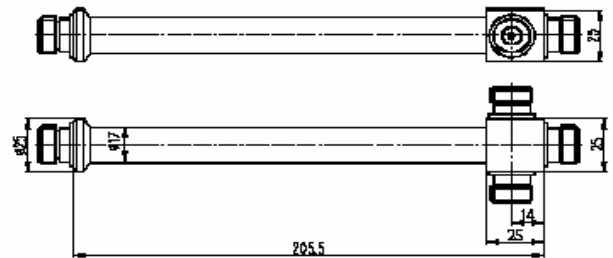
No.	Description	Typ	Insert Loss (dB)	VSWR	Balance Range (dB)	Isolation (dB)	Connector Manner	Figure
1	2 ways Splitter	CHS2-2T	0.1	1.30	±0.5		N-K	CHS2-2T
2	3 ways Splitter	CHS2-3T	0.1	1.30	±0.5		N-K	CHS2-3T
3	4 ways Splitter	CHS2-4T	0.1	1.35	±0.5		N-K	CHS2-4T

- Note: 1) Maximal Input Power : 200 W
 2) Impedance: 50 Ω
 3) Intermodulation: ≤ -140dBc
 4) Connector Manner can be customized.

CHS2-2T



CHS2-3T



CHS2-4T



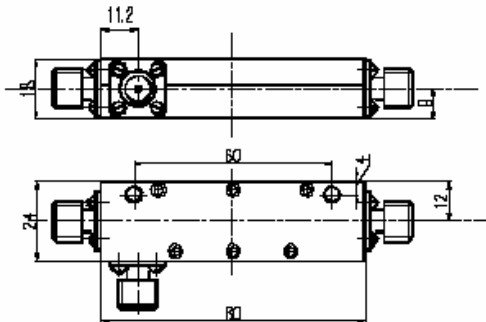


Micro Band Coupler (800~2500MHz):

Description	Type	Insert Loss (Db)	VSWR (Main Line)	VSWR (Subsidiary Line)	Coupling (dB)	Isolation (dB)	Connector Manner	Figure
5dB Coupler	CHP1-5T	1.7	1.20	1.25	5±0.7	22	N-K	CHP1
7dB Coupler	CHP1-7T	1.6	1.20	1.25	7±0.7	25	N-K	CHP1
10dB Coupler	CHP1-10T	1.0	1.20	1.25	10±0.7	27	N-K	CHP1
15dB Coupler	CHP1-15T	0.6	1.20	1.25	15±0.8	32	N-K	CHP1
20dB Coupler	CHP1-20T	0.5	1.20	1.25	20±1.0	37	N-K	CHP1

- Note: 1) Size (mm): 80×24×18 (5、7、10、15、20dB) , 80×27×18 (25、30、40、50、60dB)
 2) Connector Manner can be customized.
 3) Coupling can be customized.
 4) Impedance: 50Ω
 5) Maximal Input Power: 50W

CHP1

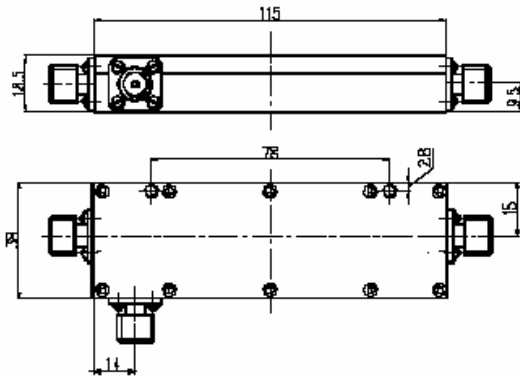


Cavity Coupler (800~2500MHz):

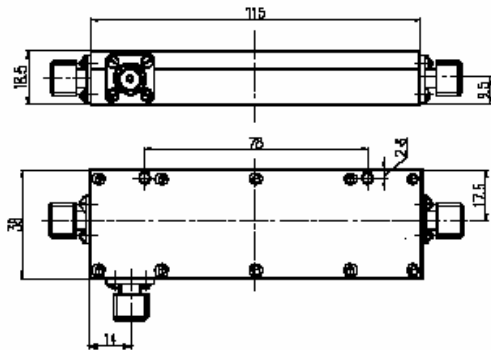
Description	Type	Insert Loss (Db)	VSWR (Main Line)	VSWR (Subsidiary Line)	Coupling (dB)	Isolation (dB)	Connector Manner	Figure
5dB Coupler	CHP2-5T	1.6	1.20	1.25	5±0.7	23	N-K	CHP2-5T
7dB Coupler	CHP2-7T	1.3	1.20	1.25	7±0.7	26	N-K	CHP2-5T
10dB Coupler	CHP2-10T	0.8	1.20	1.25	10±0.7	28	N-K	CHP2-10T
15dB Coupler	CHP2-15T	0.6	1.20	1.25	15±0.7	35	N-K	CHP2-10T
20dB Coupler	CHP2-20T	0.5	1.20	1.25	20±0.7	40	N-K	CHP2-10T

- Note: 1) Size (mm): 116×38×18.5
 2) Connector Manner can be customized.
 3) Coupling can be customized.
 4) Impedance: 50Ω
 5) Maximal Input Power: 200W

CHP2-5T



CHP2-10T





3dB Hybrid Combiner

Description	Type	Frequency Range	Insertion Loss	VSWR	Isolation	Combiner loss	Power Handling Capacity	Connector Manner
3dB Hybrid Combiner	RMSC-3dB	800-2500MHz	≤3.5dB	≤1.2	≥20dB	3.5 dB	200W	N-K

Note: 1) maximal input power : 50 W
2) Impedance : 50 Ω

