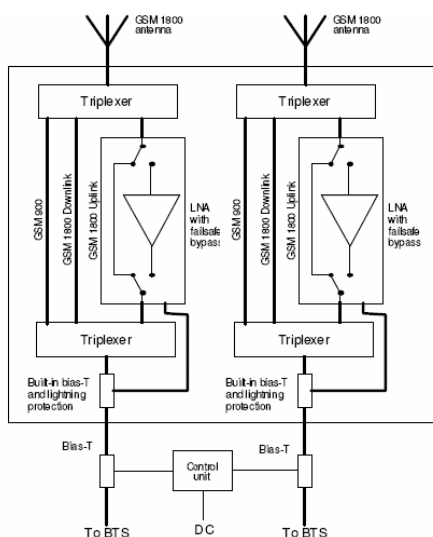


Twin TMA 1800 (900 BYPASS)



REMEC-HIMARK TMA helps reduce the cost of base station deployment by extending cell coverage.

They also significantly improve call quality and reduce the number of dropped calls, which is the number one reason for customer churn.

REMEC-HIMARK TMAs improve in-building coverage and reduce overall system bit error rate, which is vitally important for data applications.

These units have the best noise and lightning performance available and are IP68 rated for full water immersion.

FEATURES

- Market leading low noise performance
- Simple installation
- GSM900 Bypass function
- Rugged and highly reliable
- Excellent lightning protection
- Full water immersion (IP68) specification

BENEFITS

- Extends cellular coverage
- Reduces bit error rate – vital for data applications
- Significantly reduces roll out costs
- Improves call quality
- Reduces dropped calls
- Enhances in-building coverage
- Increases handset battery life

Specifications

a. 800-960MHz Bypass Path

| | |
|--------------------------------|-------------------------------|
| · Frequency Band | 890-960MHz |
| · Insertion Loss | 0.23 dB typ. |
| · Continuous Average Power | 200 W max.(53dBm) |
| · Intermodulation 2× 43 dBm TX | -110 dBm max. in RX band. ANT |

b. 1800Downlink (TX) Path

| | |
|--------------------------------|-------------------------------|
| · Frequency Band | 1805-1880 MHz |
| · Insertion Loss | 0.3 dB typ |
| · Return Loss | 18 dB min.(VSWR<1.3:1) |
| · Continuous Average Power | 200W (53dBm) |
| · Peak Envelope Power | 60 dBm (<100ns 62dBm) |
| · Intermodulation 2× 43 dBm TX | -116 dBm max. in RX band. ANT |

c. 1800 Uplink (Rx)

| | |
|-------------------------------|---------------|
| · Frequency Band | 1710-1785MHz |
| · Gain | 12 dB nominal |
| · Noise Figure | 1.7 dB typ |
| · Insertion Loss, Bypass mode | 2.3 dB max |
| · Input IP3 | 10 dBm |

d. Power Supply and Alarm

| | |
|----------------------------------|----------------------------|
| · DC Supply Voltage via BTS-RF | 9-17VDC(48VDC Main supply) |
| · DC Supply Current, normal mode | 90mA*2 |
| · DC Supply Current,alarm mode | 180mA*2 |

e. Environmental

| | |
|-------------------------------|-----------------|
| · Operating Temperature Range | -40 to +65 |
| · Operation | ETS 300 019-1-4 |
| · Storage | ETS 300 019-1-1 |
| · Ingress Protection | IP68 |

f. Miscellaneous

| | |
|--------------------|--------------------|
| · EMC | EN 301 489-8 |
| · Safety standards | EN 60950 |
| · MTBF | 750,000 hours min. |

g. Mechanical

| | |
|-----------------------|------------------------------------|
| · Dimensions(W× H× D) | 318× 179× 112mm |
| · Connectors | 7/16 female, long neck |
| · Mounting | House clamp, arbitrary orientation |
| · Weight | < 13.0kg |